

PRODUCT
INTRODUCTION

产品介绍 ▶▶▶

EG8000mini



EG8000mini series products are edge computing gateways launched by IOTRouter Chengdu. With its **rich hardware interfaces, drag-and-drop programming method, Zero Code design concept, convenient remote management** and other characteristics, It can **quickly, flexibly, accurately** and **efficiently** respond to various IoT industry needs.

EG8000mini abstracts complex hardware interfaces, different industrial network protocols, etc. into Nodes one by one. Users can **use these Nodes flexibly to replace the traditional complex and inefficient coding process** by dragging and connecting. Really let customers focus on business logic and quickly create their own gateway equipment. The mission of EG8000mini is to continuously develop new Nodes to serve industry customers to **adapt to the fragmentation of IoT industry needs.**

PRODUCT
SPECIFICATION

产品规格



EG8000mini

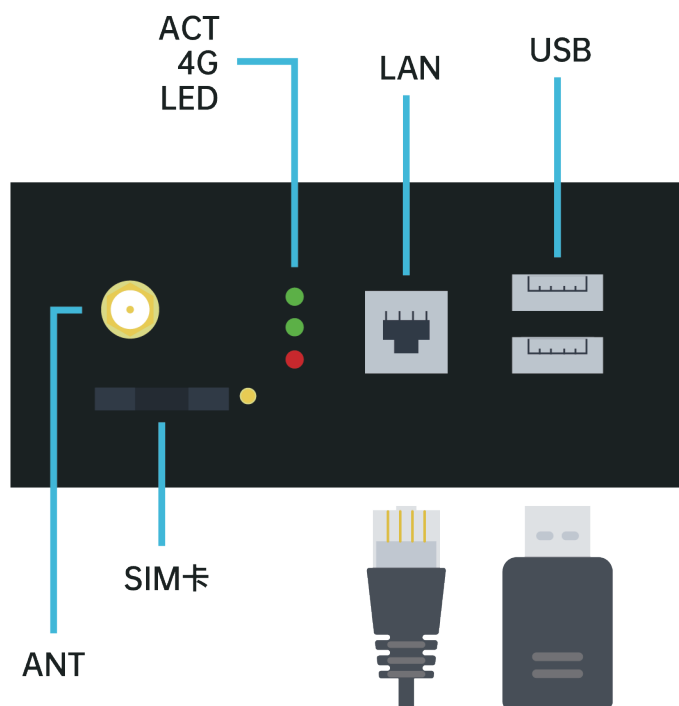
Hardware	CPU	ARM Cortex-A7
	Storage	512M + 8G
	RTC	Real Time Clock
	Wireless	LTE Cat4
		5G (Option)
	LAN	1*100/M Support DHCP Server
	USB	2*USB
	RS485	2*RS485
	RS232	1*RS232
LED	Support DO/DI status indication (customizable)	
Electrical Parameters	Rated Voltage	DC12V, DC9~28V(Working Range)
	Rated Power	5W
	Power Protection	Anti-static, anti-surge, anti-reverse
	Certification	CE/ROHS
Environmental Parameters	Operating Temperature	-20~80°C
	Storage Temperature	-20~85°C
	Environment Humidity	10-90%RH (non-condensing)
	Cooling Method	Heat sink / dissipation silicone
Mechanical Parameters	Size	118*90*35mm
	Weight	<1kg
	Material	Zinc Alloy
Software Parameters	Ops	Support remote configuration/upgrade/management
	VPN	Support intranet penetration support PLC remote upload and download (network port)
	Edge Computing	Support drag and drop programming Support zero-code development Support JavaScript development
	Data Storage	Support TSDB(Time Series Databases)
	Industrial Agreement	Support multiple industrial protocols (Developing)
	Network Protocol	MQTT/HTTP/TCP/UDP/WEBSOCKET

WIRING
INSTRUCTION

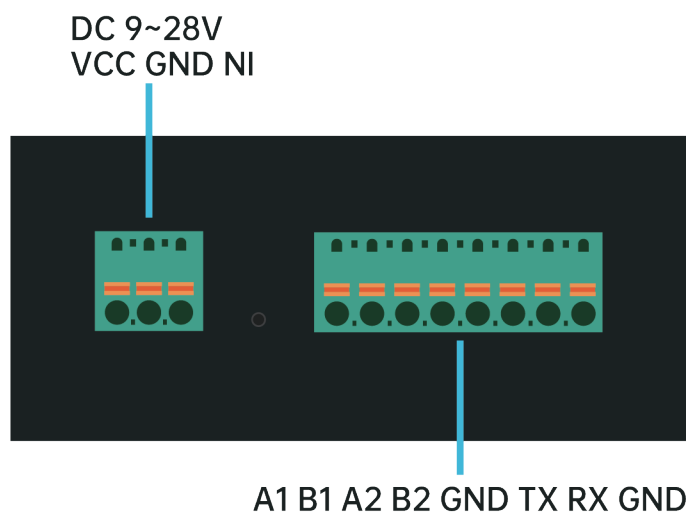
接线说明



EG8000mini



Interface Identification-1



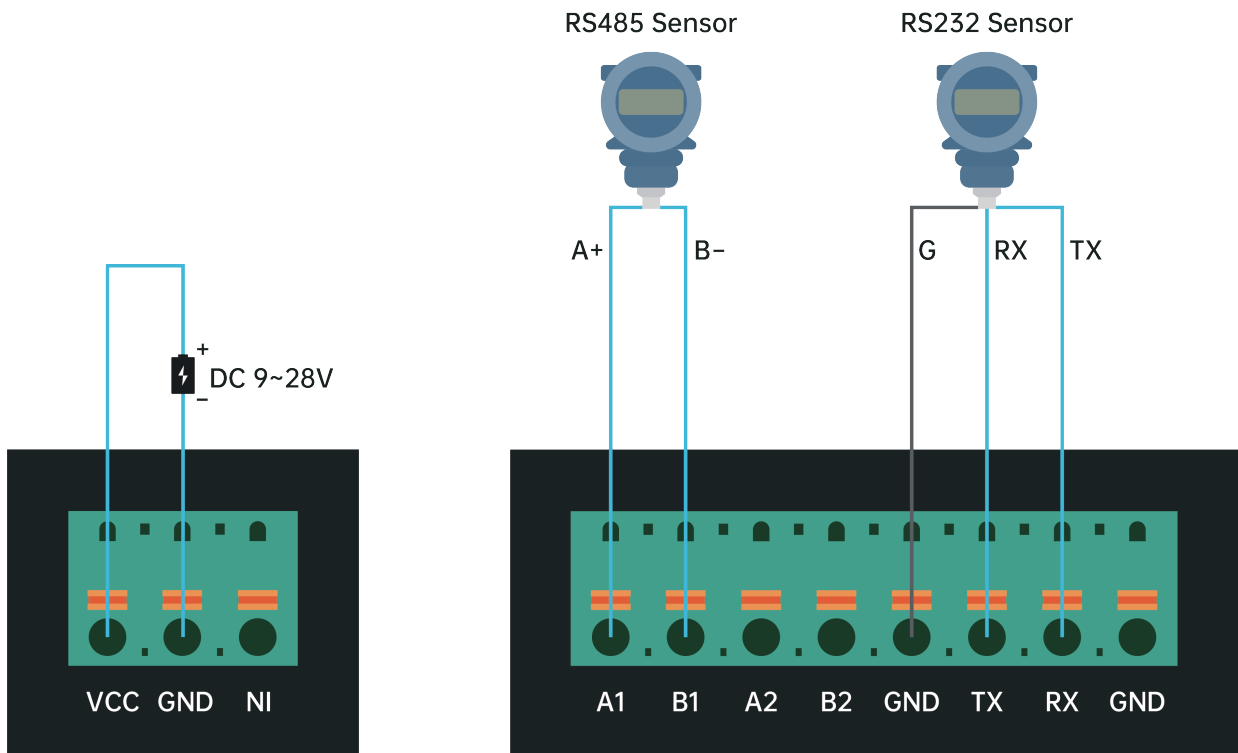
Interface Identification-2

WIRING
INSTRUCTION

接线说明



EG8000mini



Power Wiring Diagram

RS485/232 Wiring Diagram

PRODUCT
SIZE

产品尺寸 ▶▶▶

EG8000mini

