

PRODUCT  
INTRODUCTION

## 产品介绍



## EG8100



EG8100 series products are edge computing gateways launched by IOTRouter Chengdu. With its **rich hardware interfaces, drag-and-drop programming method, Zero Code design concept, convenient remote management** and other characteristics, It can **quickly, flexibly, accurately** and **efficiently** respond to various IoT industry needs.

EG8100 abstracts complex hardware interfaces, different industrial network protocols, etc. into Nodes one by one. Users can **use these Nodes flexibly to replace the traditional complex and inefficient coding process** by dragging and connecting. Really let customers focus on business logic and quickly create their own gateway equipment. The mission of EG8100 is to continuously develop new Nodes to serve industry customers to **adapt to the fragmentation of IoT industry needs**.

## PRODUCT SPECIFICATION

## 产品规格



# EG8100

Hardware	CPU	ARM Cortex-A7
	Storage	512M + 8G
	RTC	Real Time Clock
	Wireless	LTE Cat4
		5G (Option)
	GPS	<2.5m CEP (Autonomous Positioning)
	LAN	1*100/M Support DHCP Server
	RS485	2*RS485
	DO	6*Relay Output (10A/250VAC 30VDC)
	DI	6*Relay Input (Wet&Dry nodes)
LED	Support DO/DI status indication (customizable)	
Electrical Parameters	Rated Voltage	DC12V, DC9~36V(Working Range)
	Rated Power	5W
	Power Protection	Anti-static, anti-surge, anti-reverse
	Certification	CE/ROHS
Environmental Parameters	Operating Temperature	-20~80°C
	Storage Temperature	-20~85°C
	Environment Humidity	10-90%RH (non-condensing)
	Cooling Method	Heat sink / dissipation silicone
Mechanical Parameters	Size	159.5*95.9*27.5mm
	Weight	<1kg
	Material	Zinc Alloy
Software Parameters	Ops	Support remote configuration/upgrade/management
	VPN	Support intranet penetration support PLC remote upload and download (network port)
	Edge Computing	Support drag and drop programming Support zero-code development Support JavaScript development
	Data Storage	Support file storage
	Industrial Agreement	Support multiple industrial protocols (Developing)
	Network Protocol	MQTT/HTTP/TCP/UDP/WEBSOCKET

WIRING  
INSTRUCTION

接线说明



# EG8100



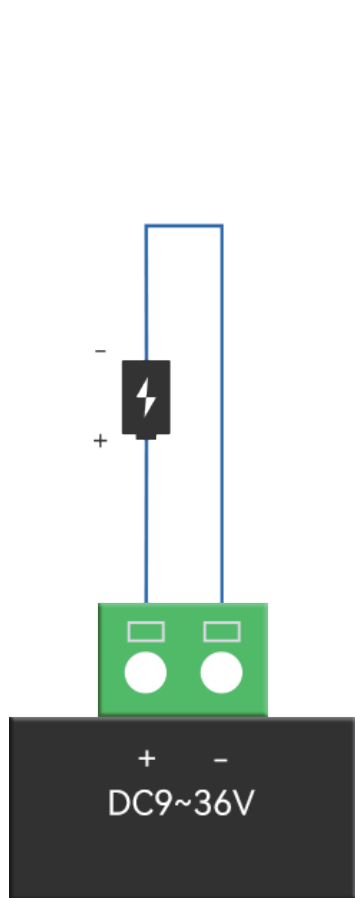
Interface Identification

WIRING  
INSTRUCTION

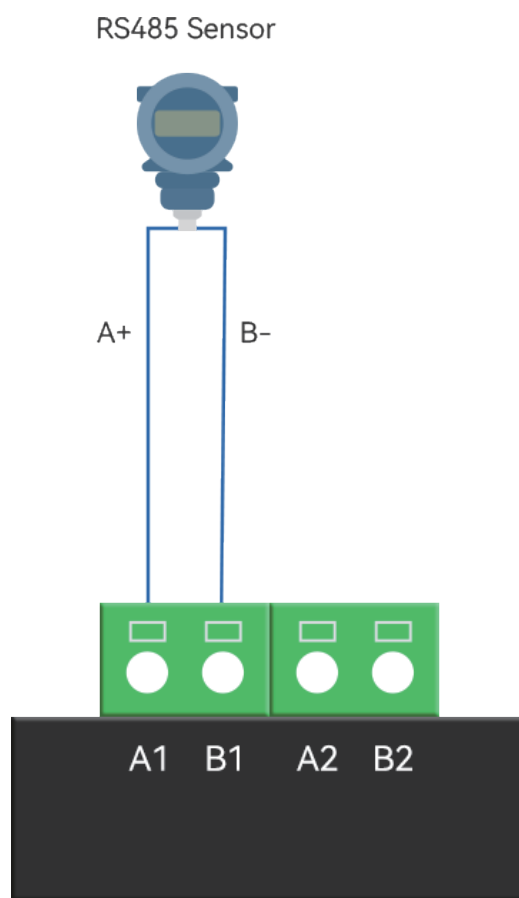
接线说明



# EG8100



Power Wiring Diagram



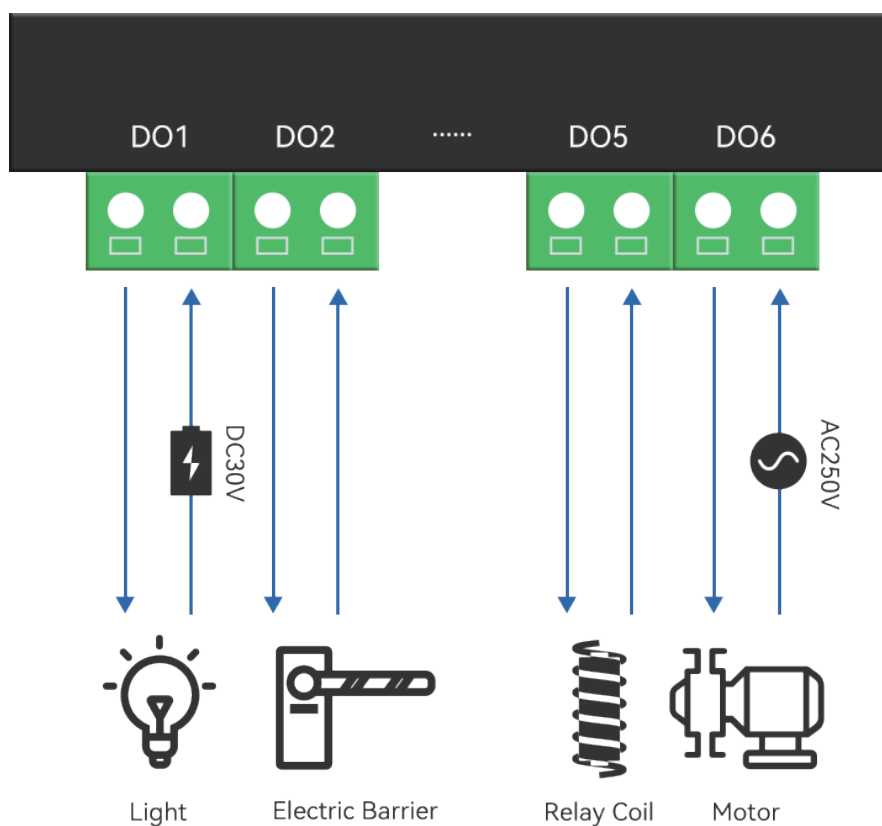
RS485/232 Wiring Diagram

WIRING  
INSTRUCTION

接线说明



# EG8100



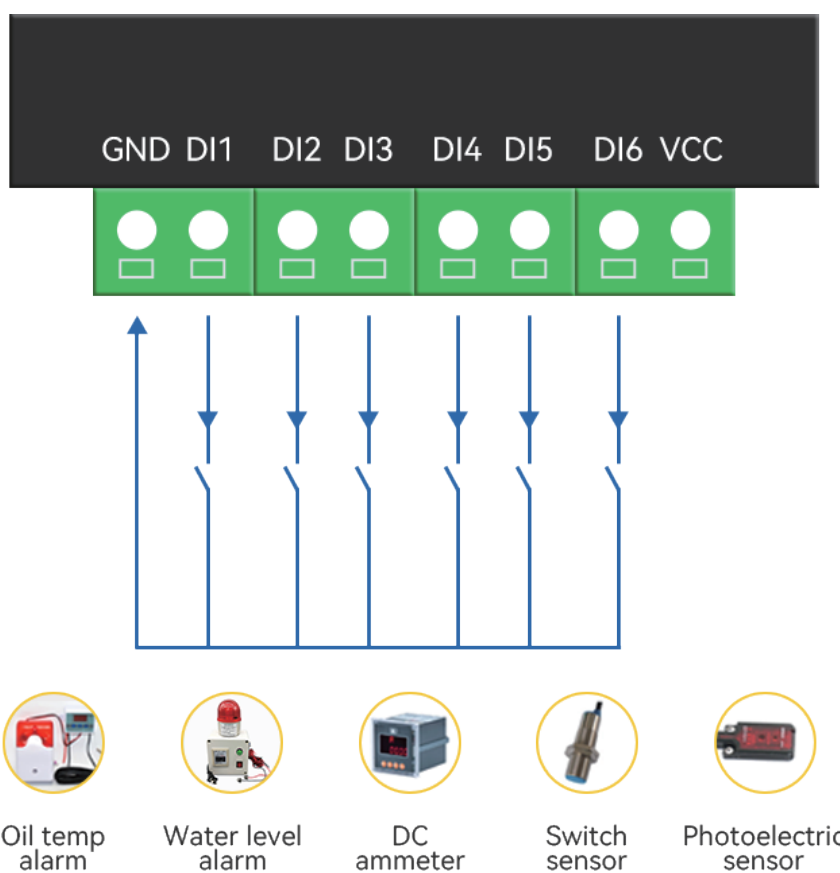
DO Wiring Diagram

WIRING  
INSTRUCTION

接线说明



# EG8100



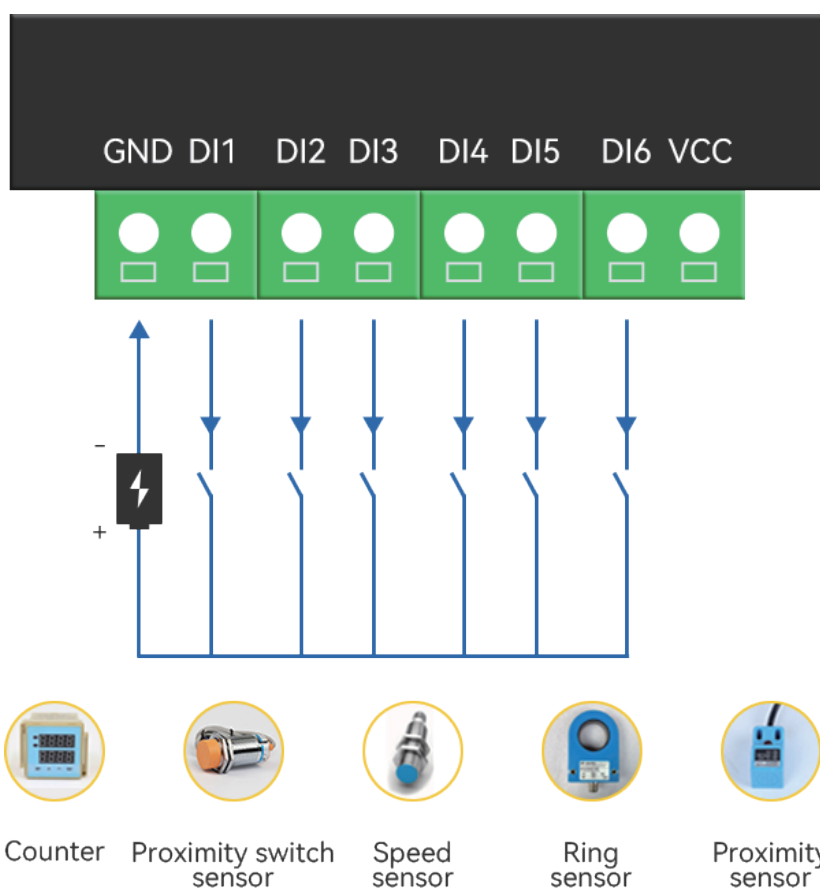
DI Dry Node Wiring Diagram

WIRING  
INSTRUCTION

接线说明



# EG8100



DI Wet Node Wiring Diagram

PRODUCT  
SIZE

产品尺寸



# EG8100

