

ZHC466C

IO Controller

4G Modbus RTU



- Support JSON, Modbus RTU/TCP
- 4-channel 0-10V/4~20mA analog output
- 4 channels 0-10V/4~20mA analog input
- Support analog rotation output
- TCP_Client/ MQTT_Client
- Trigger action at set time point (restart, set analog output)
- Cloud forwarding, cloud networking
- Local logic, inter-device logic
- Data trigger, timing report
- Remote configuration, remote upgrade

Product Overview

ZHC466C is a support 4 Road 0-10V/4~20mA analog output, 4 Road 0-10V/4~20mA analog input, 1*RS485 Transparent network IO products, compatible with Modbus RTU/TCP, which supports the JSON protocol. With "remote monitoring" as the core function, it is simple and easy to use, and users can easily and quickly integrate into their own systems to realize 485 remote and local control.

Product Specifications

Network parameters

frequency band

LTE-FDD	B1/B3/B5/B8
LTE-TDD	B34/B38/B39/B40/B41
GSM	900/1800MHz

data

LTE-FDD	Max 10Mbps(DL)/Max 5Mbps(UL)	
LTE-TDD	Max 7.5Mbps(DL)/Max 1Mbps(UL)	
EDGE	Max	236.8Kbps(DL)/Max 236.8Kbps(UL)
GPRS	Max	85.6Kbps(DL)/Max 85.6Kbps(UL)

Sensitivity

FDD B1	-97.5dBm	TDD B34	-96.3dBm	EGSM900	-105dBm
FDD B3	-94.3dBm	TDD B38	-97dBm	DCS1800	-106dBm
FDD B5	-97dBm	TDD B39	-96.3dBm		
FDD B8	-96.5dBm	TDD B40	-97dBm		
		TDD B41	-96dBm		

Electrical parameters

Class 3 (23 dBm \pm 2 dB) for LTE-FDD bands
 Class 3 (23 dBm \pm 2 dB) for LTE-TDD bands
 Class E2 (27 dBm \pm 3 dB) for EGSM900 8-PSK
 Class E2 (26 dBm \pm 3 dB) for DCS1800 8-PSK
 Class 4 (33 dBm \pm 2 dB) for EGSM900
 Class 1 (30 dBm \pm 2 dB) for DCS1800

Serial Port

number of ports	RS485*1
standard	RS485: A, B
baud rate	600~921600bps
data bits	8, 9
stop bit	0.5, 1, 1.5, 2
Check Digit	NONE EVEN ODD

AO

Number of interfaces	of 4 way output(0~10V/4~20mA)	analog
standard	AO*4, G*1	
output range	0~10V/4~20mA	

AI

Number of interfaces	of 4 analog inputs
standard	AI*4, G*1
scope of test	of 0~10V/4~20mA

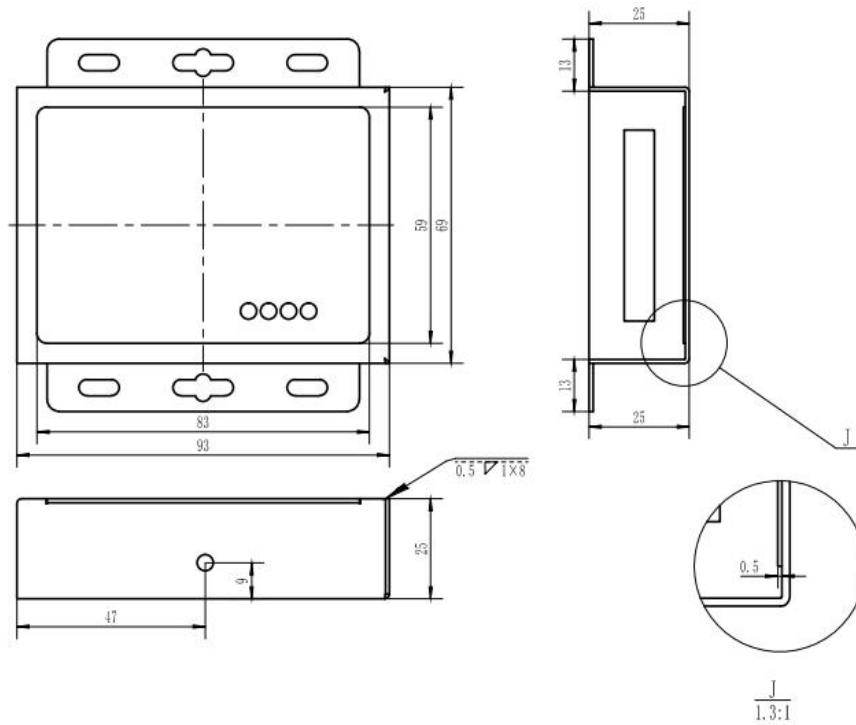
Power Supply

Voltage	9~36V
current	60mA(aver) @9V 30mA(aver) @36V

EMC

ESD	IEC61000-4-2, Level 4
surge	IEC61000-4-2, Level 3
group pulse	IEC61000-4-2, Level 3

Size





Copyright © 2021 Chengdu Zongheng Intelligent Control Technology Co., Ltd. All Rights Reserved www.iotrout.com